



Your Water. Perfected.



SOFT WATER, SMART SYSTEM: *Efficiency Meets Everyday Life.*

ESD2800

ECOWATER 2800 SERIES WATER SOFTENERS

The Latest Technology for Water Treatment

Enhance your home with EcoWater's intelligent water softeners. Our patented AI technology learns from your household's water usage, optimizing regeneration only when needed. This smart system not only cuts down on water and salt usage but also reduces maintenance. Enjoy the efficiency and savings of a truly advanced water softening solution.

Unlock the full potential of your water softening experience with
ECOWATER'S INTELLIGENT FEATURES:

- SALT MONITORING:**
Automatically alerts you when it's time to refill salt, ensuring you always have soft water available.
- WATER USAGE INSIGHTS:**
The intuitive display provides detailed information on how your home utilizes water, helping you manage consumption effectively.
- HIGH FLOW RATE VALVE:**
Maintains optimal water pressure throughout your home, guaranteeing efficiency even during peak demand.



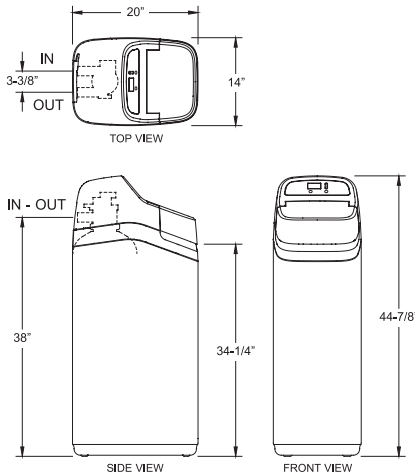
 Designed, Engineered & Assembled in the U.S.A.

ecowater.com

ESD2800

ECOWATER 2800 SERIES WATER SOFTENERS

DIMENSIONS



	ED2800R25 R25
Nominal Resin Tank Size	10" Diam. x 35"

SPECIFICATIONS

	ESD2800R25
Efficiency (gr./lb. @ min. lb. salt dose)	5,120 @ 2.4
Hardness Capacity (gr. @ max. lb. salt dose)	41,200 @ 15.3
Certified Flow Rate (gpm @ psi)	6.00 @ 8.0
Intermittent Flow Rate (gpm @ psi)¹	14.6 @ 15
Intermittent Flow Rate (gpm @ psi)¹	22.8 @ 30
Amount of Resin (lbs.)	59.3
Maximum Water Hardness (gpg @ 500 gpd water usage)	95
Maximum Clear Water Iron (ppm-Fe)²	5
Approximate Water Used Each Regeneration (gal.)³	41
Salt Storage Capacity (lbs.)	200
Supply Water Pressure Limits (psi)⁴	20-125
Supply Water Temperature Limits (°F/°C)	40-120 / 4-49
Ambient Temperature Range (°F/°C)	35-150 / 2-66
Plumbing Connection Provided	1"
Electrical Requirement, 120V, 50/60Hz, (24V DC, 500 mA, power supply included)	

¹Intermittent flow rate does not represent the maximum service flow rate used for determining the softener's rated capacity and efficiency. Continuous operation at flow rates greater than the certified flow rate may affect capacity and efficiency performance. The validity of these flow rates is verified by NSF. ²Increased amounts of clear water iron can reduce softener's efficiency. Refer to owner's manual for details. Wisconsin requires additional treatment if water supply contains greater than 5 ppm clear water iron. ³When operated at 35 psi water pressure. ⁴Maximum pressure for Canadian use is 7.0 Kg/cm².

WARRANTY

- For the lifetime of the original owner, the mineral tank will not rust, corrode, leak, burst, or in any other manner fail to perform its proper function.
- For a period of ten years, the salt tank will be free of defects in materials and workmanship and will perform its proper function.
- For a period of three years, the valve body, electronic faceplate and all other parts will be free of defects in materials and workmanship and will perform their normal functions.



Your Water. Perfected.



MS2



EcoWater Systems LLC
P.O. Box 64420
St. Paul, MN 55164-0420